

**Key features**

- Based on LED-technology
- 200 000 / 20 000 / 2 000 cd effective flashing white
- 120° x 3° beam spread
- Extremely reliable - long lifetime
- Maintenance free
- Low power consumption
- 230 VAC nominal operating voltage
- Stabilised light output
- Lightweight and small – low wind load factor
- Easy to install
- Control by Obelux LHC Light Head Controller

**Benefits**

- Very low cost of ownership
- Supply power voltage variations do not affect to light output
- Low wind load
- Comes with five (5) years warranty
- Over 10 year continuous maintenance free operating time

**Specifications met**

- ICAO International Standards and Recommended Practices:  
Aerodromes - Annex 14 Volume 1, 5th Edition, July 2009,  
Chapter 6: High-intensity, Type A Fixed Obstacle Light

**Photometric characteristics**

- Intensity:
  - 200 000 cd effective @ day mode
  - 20 000 cd effective @ twilight mode
  - 2 000 cd effective @ night mode
- Colour aviation white
- Horizontal radiation pattern 120°
- Vertical radiation pattern 3°
- LED supply current stabilised by constant current generator

**LED-HEAD Mechanical characteristics**

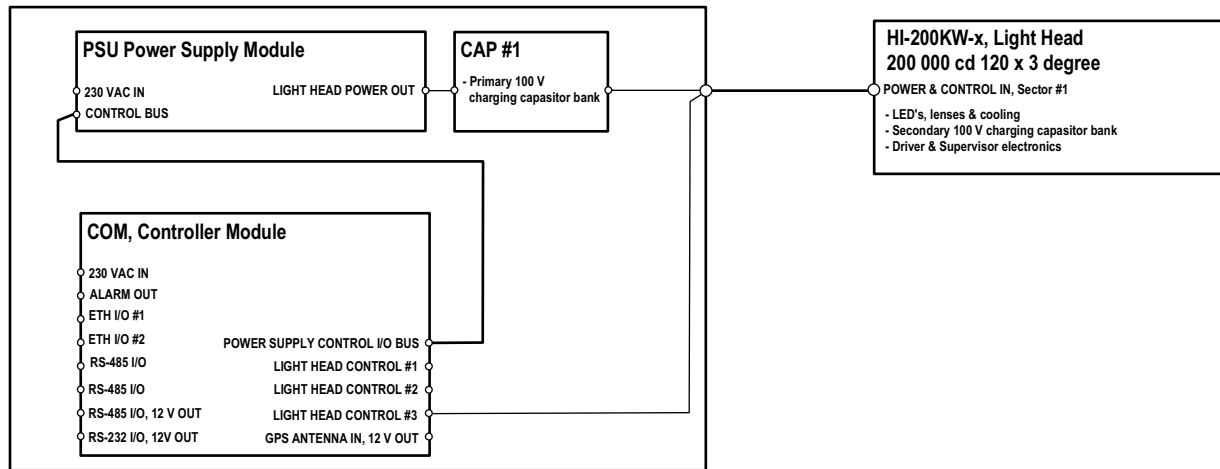
- AISI-316 acid proof steel enclosure
- Glass cover
- Degree of protection IP65
- Operating temperature range -55...+55 °C
- Height 800 mm, width 380 mm, depth 300 mm
- Weight less than 20 kg
- Wind load @ 200 km/h less than 1000 N

**Obelux HI-200KW-230-x LIGHT HEAD****LHC (Light Head Controller) electrical characteristics**

- Nominal operating voltage 230 VAC, 50...60 Hz
- Active PFC power supply
- Constant power input, same peak and average power consumption
- Power consumption, 40 fpm, 250 ms flash duration:
  - Day mode: 350 W, cos  $\varphi$  0.9
  - Twilight mode: 115 W, cos  $\varphi$  0.8
  - Night mode: 35 W, cos  $\varphi$  0.65
- Two isolated RS-485 interfaces
- Two Ethernet ports, built in switch
- IP communication
- Over-voltage protection

Made in Finland

**LHC, Light Head Controller**



**LHC key features**

- Cabinet dimensions 300 x 400 x 200 (LxWxD)  
weight: 18 kg
- Operating voltage 230 VAC

**COM, controller module key features**

- Stand alone or centrally controlled operation modes
- Flash timing
- Day/twilight/night switching
- Diagnostics reporting
- Fault reporting
- RS-485 communication ports
- Built in two port industrial ethernet switch
- SNMP-management protocol
- Potential free alarm output by relay
- internal GPS flash synchronisation module as option
- internal GSM-communication module as option
- Internal photocell, external as option
- Fibre data communication as option

**Benefits**

- Easy to install
- Fault tolerant
- Maintenance free
- Comprehensive remote diagnostics capabilities
- Very low total lifetime costs

Made in Finland

**Options**

- GPS: Flash controller with global flash sequency synchronisation by GPS-UTC time
- CP: Control panel
- GSM controlling and fault reporting
- Internet connection
- 115 VAC operating voltage
- Mounting accessories

**Order code:**

Obelux **HI-200KW-230-GPS**

1 2 3 4

**1 Serie**

- LI: Low Intensity
- MI: Medium Intensity
- HI: High Intensity

**2 Intensity and Colour**

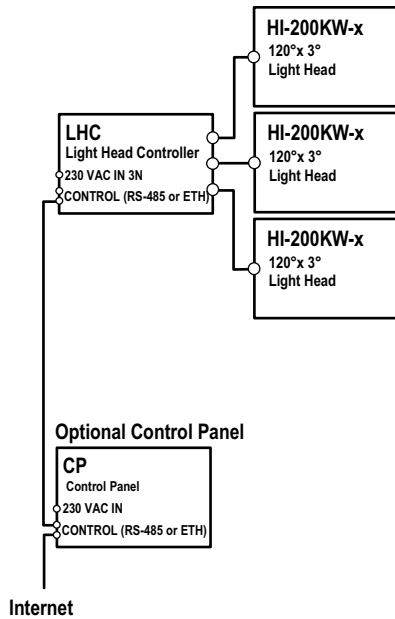
- 200K: 200 000 cd effective luminous intensity
- W: White light colour

**3 Operating Voltage**

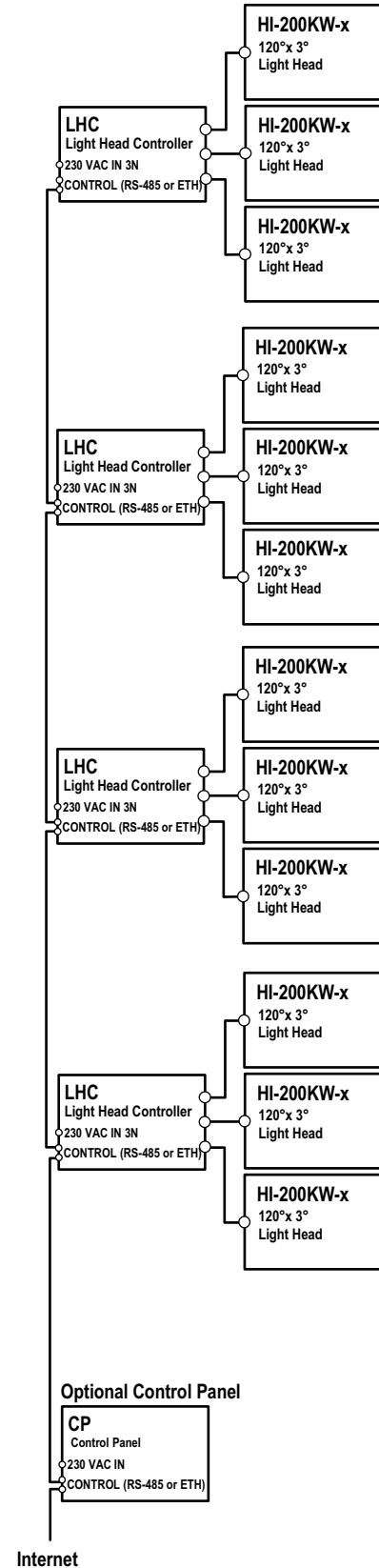
- 230: 230 Vac
- 115: 115 Vac

**4 Options**

TYPICAL ONE LEVEL CONFIGURATION



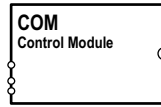
TYPICAL HIGH MAST CONFIGURATION



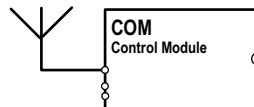
Technical information in this document is subject to change without notice. Copyright © Obelux Oy 2011

40 Flashes Per Minute. Flash timing by real time clock: Flash on every 0, 1.5, 3, 4.5, ... seconds of minute

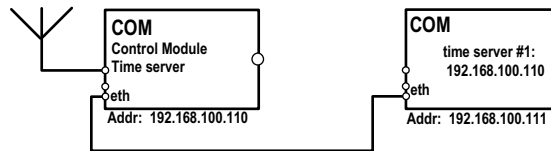
Stand alone free run



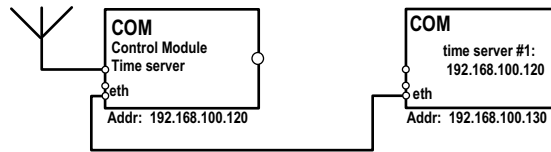
Stand alone GPS sync



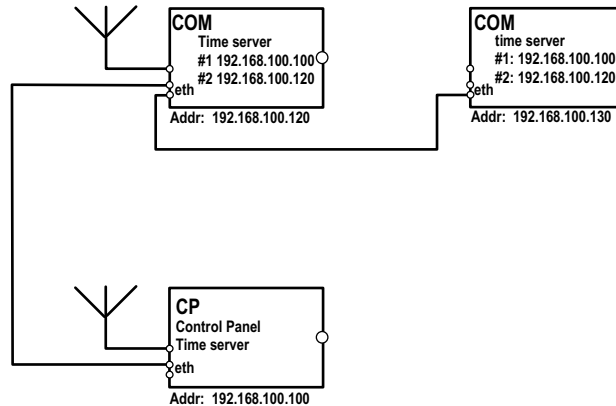
Networked GPS sync



Networked GPS sync



Networked GPS sync with Control Panel



Technical information in this document is subject to change without notice. Copyright © Obelux Oy 2011